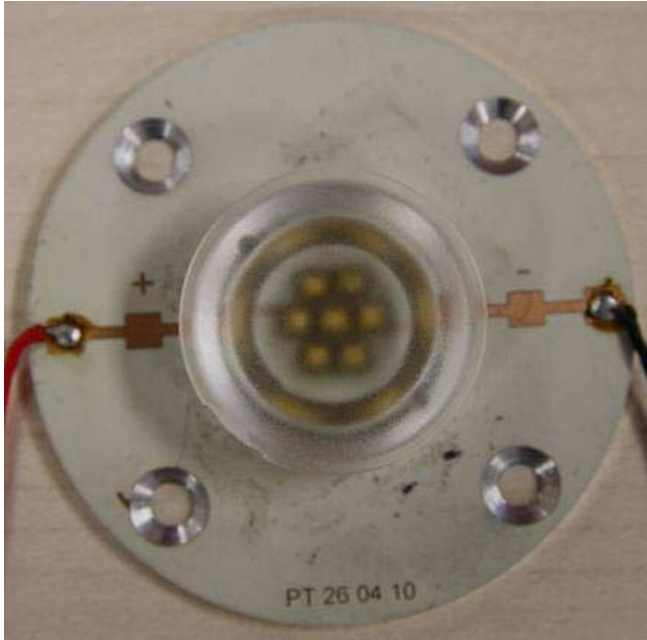


Oslon Cluster

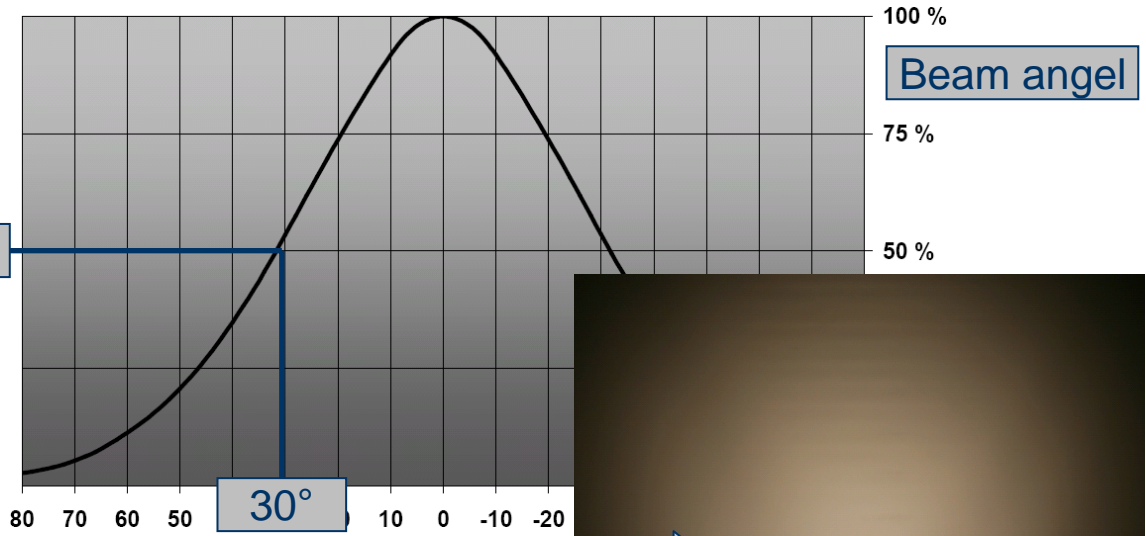
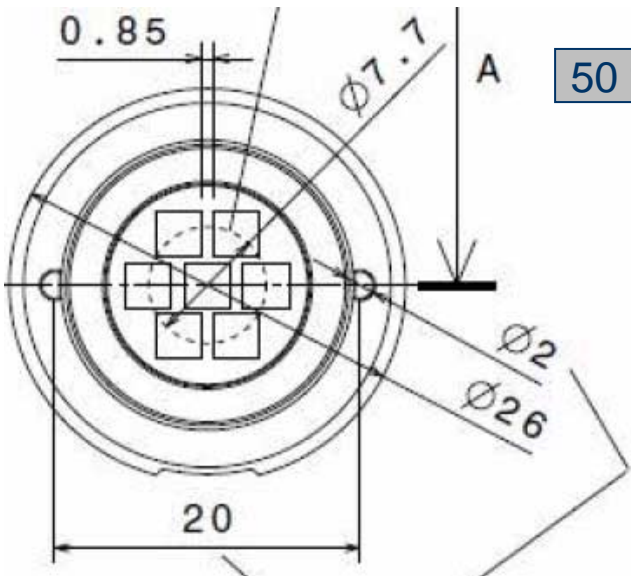
Dr.- Ing. Ales Markytan

OS SSL AE LED

OSLON Cluster with Lenses with 80°



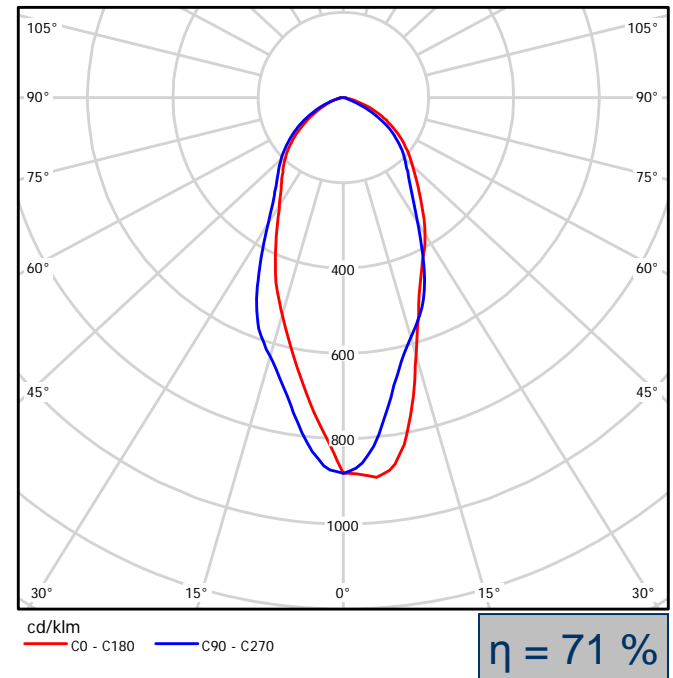
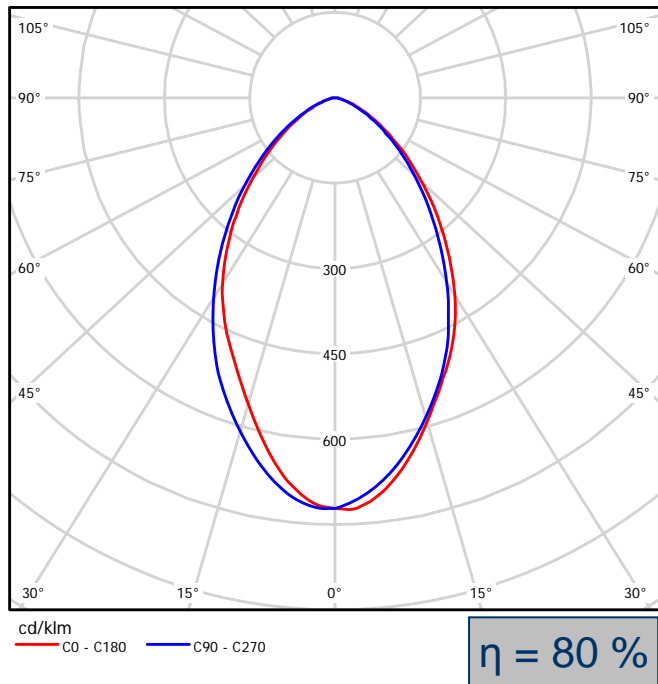
LEDIL



Light Distribution At the target

A large grey arrow points from the graph to a diagram showing a light distribution pattern on a target surface.

Measurements results with Ledil Lens Oslon SSL 80° and 150°



Thank you for your attention.



OSRAM
Opto Semiconductors