

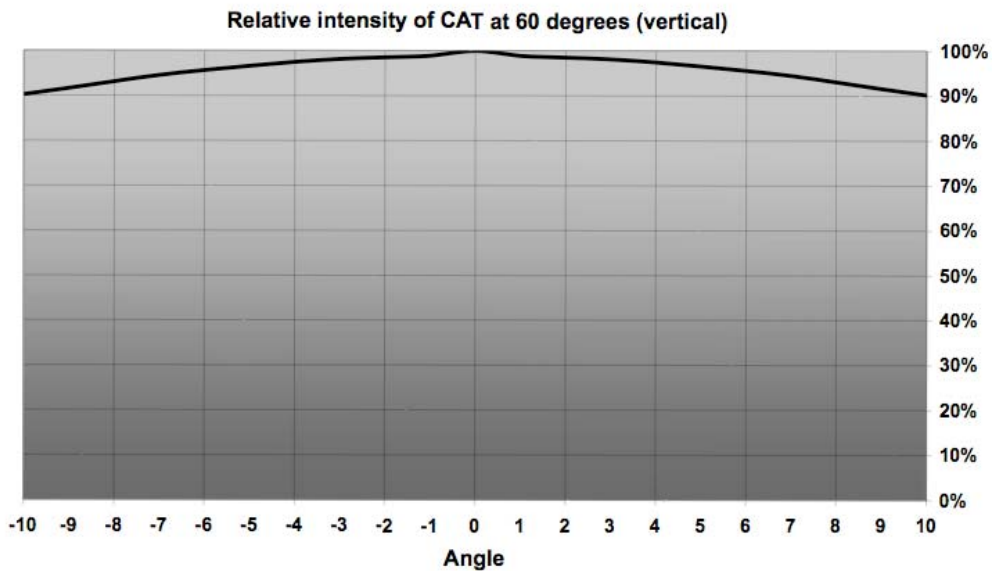
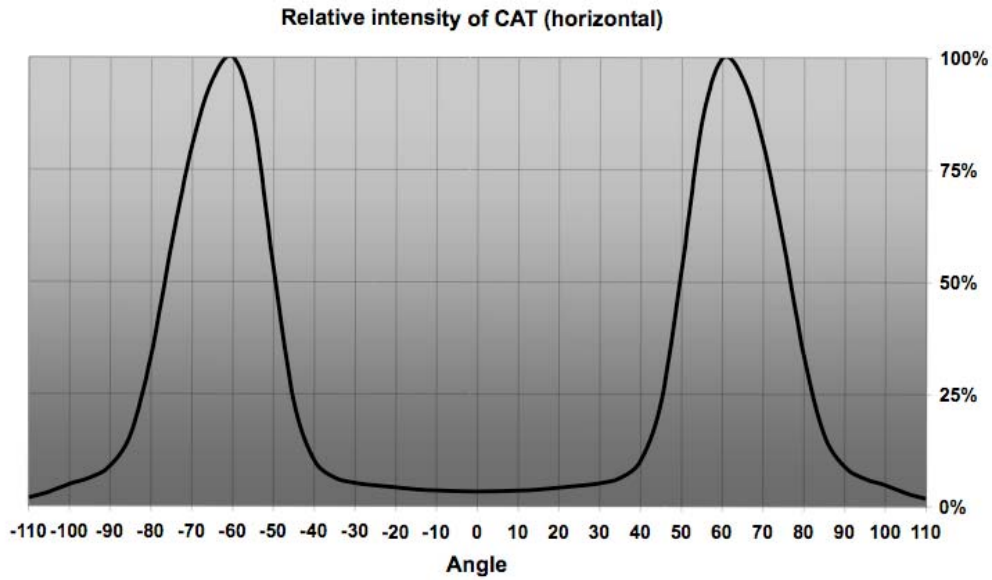
## CAT lens for Road Lighting



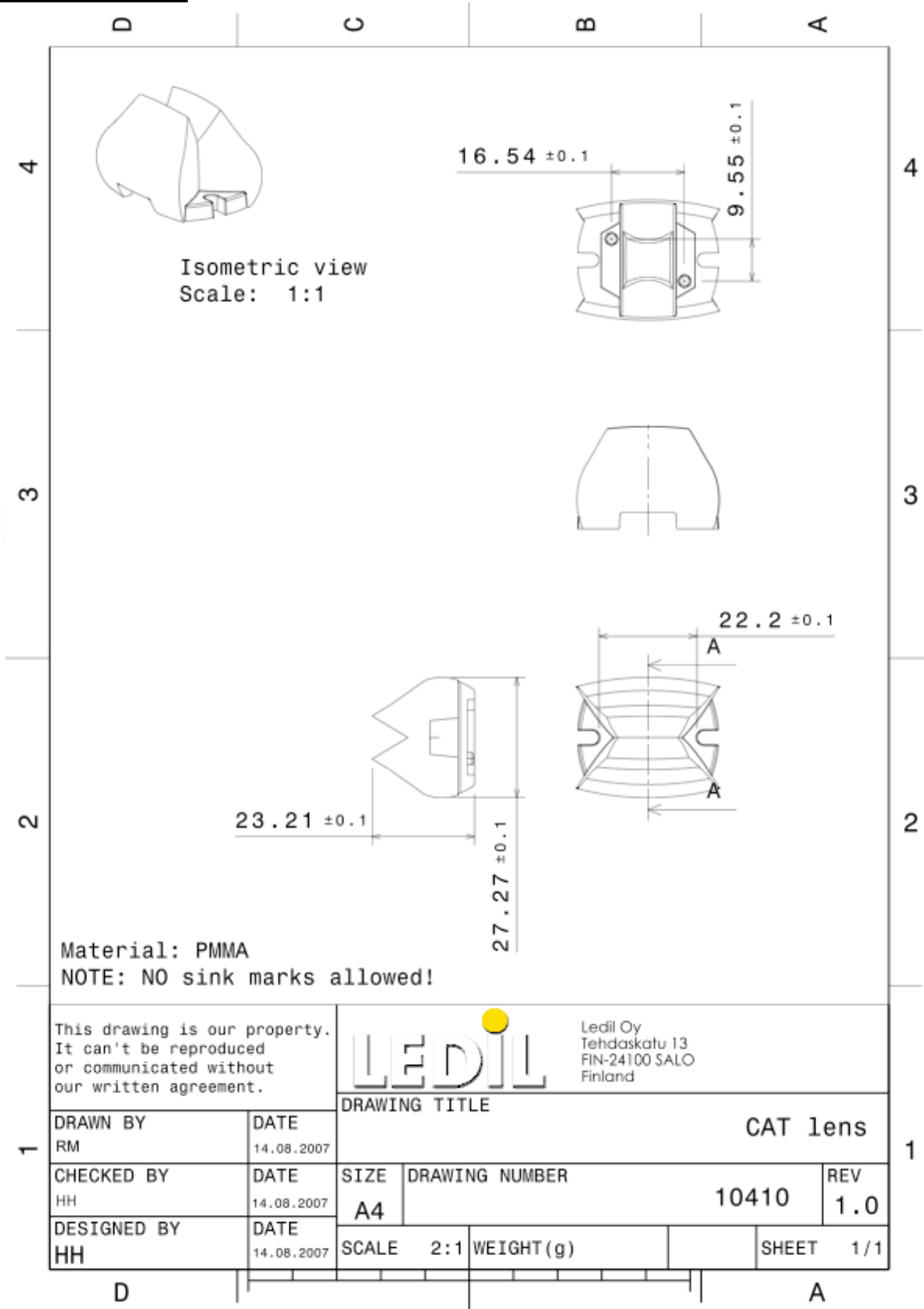
- Lens designed for the 1000 lm Osram Ostar. Works well ofr Cree Xlamp XR-E, Seoul P4 & Acriche and Luxeon K2 as well, but needs another optical positioning
- Lens material optical grade PC with high UV and temperature resistance (135°C/260°F). Allows use of high current and temperature conditions
- Best available optical efficiency
- Fastening to heat sink with 2 screws
- Compact dimensions, approximately a cube of 25 mm.
- **Especially suitable for Road Lighting solutions. At 8 meters' height fulfills the IESNA Class III requirements**

NAME	ORDERING CODE	FWHM Angle
CAT Lens Ostar	CAT	N/A

## MEASUREMENTS



## DRAWING



© Ledil Oy - Subject to change without prior notice